



DWC hot water cylinders

Domestic hot water all day, everyday

The Danfoss range of hot water storage tanks are designed to be perfectly compatible with the Danfoss heat pumps DHP-L, DHP-L Opti, DHP-L Opti Pro and the DHP-AQ.

The affordable selection of specialist stainless steel tanks have 60mm insulation, a stainless steel tank and is available from 150 to 500ltr.

Bespoke

Design

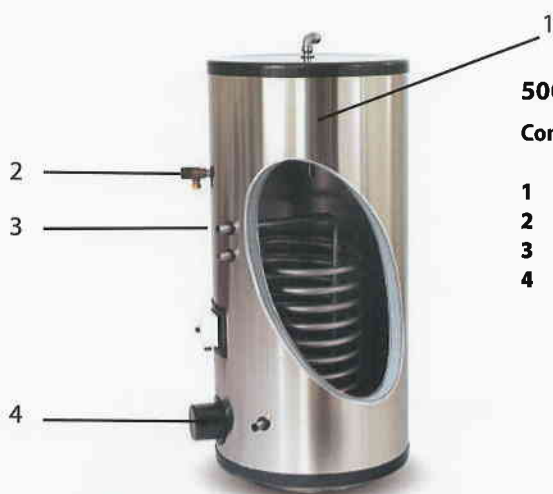
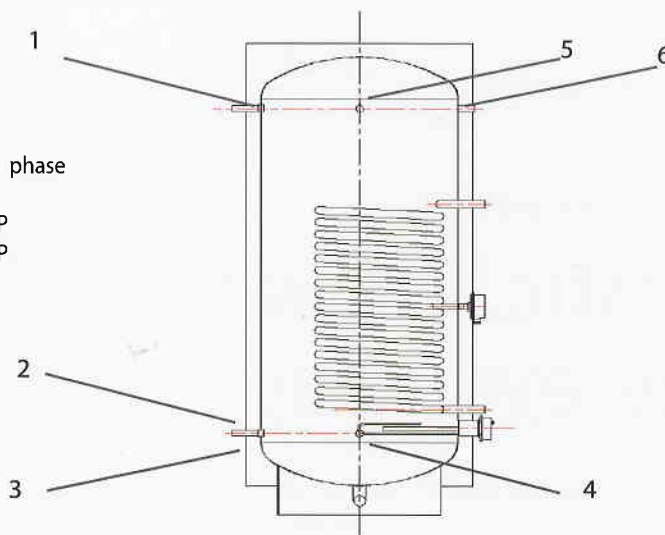
Danfoss' DWC range are specially designed to take advantage of environmentally friendly heating systems.



150-305ltr

Connection

- 1 Outlet, 22mm
- 2 Immersion Heater 1 3/4" BSP, 3kw, 1 phase
- 3 Inlet 22mm
- 4 Sensor Temperature Socket 1/2" BSP
- 5 Sensor Temperature Socket 1/2" BSP
- 6 Coil, DN25 (28mm tails)



500ltr

Connection

- 1 Sensor Temperature Socket 1/2" BSP
- 2 T&P Connection
- 3 Coil DN25 (28mm tails)
- 4 Immersion heater, 1 3/4" BSP, 3kw, 1 phase

Water Tanks

	Code number	Capacity	Coil DN25	Height (mm)	Diameter (mm)	Dry Weight	Filled Weight Weight	24h Heat Loss (kWh)	Max HP power (kW)
Model:	086G2238	150ltr	2sqm	1083	575	45kg	195kg	1.18	10
	086G2239	215ltr	2sqm	1485	575	55kg	270kg	1.67	10
	086G2240	215ltr	3sqm	1485	575	58kg	280kg	1.67	16
	086G2241	305ltr	2sqm	2023	575	65kg	370kg	1.93	10
	086G2242	305ltr	3sqm	2023	575	68kg	380kg	1.93	16
	086G2243	400ltr	3sqm	1420	750	90kg	490kg	3.11	16
	086G2244	400ltr	4sqm	1420	750	93kg	500kg	3.11	18
	086G2245	500ltr	4sqm	1722	750	105kg	605kg	3.25	18

Each tank is supplied with:

- 3kW Immersion Heater
- Temperature pressure relief valve (7bar/90C)
- 3 bar pressure reducing valve
- 6 bar safety relief valve
- Expansion vessel (size dependant upon vessel size)
- Mounting bracket for expansion vessel
- Flexible hose for expansion vessel
- Tundish
- 2 x 1/2" BSP sensor pockets
- 2 x 4m sensor cables



Danfoss can accept no responsibility for possible errors in catalogues, brochures and other printed material. Danfoss reserves the right to alter its products without notice. This also applies to products already on order provided that such alterations can be made without subsequent changes being necessary in specifications already agreed. All trademarks in this material are property of the respective companies. Danfoss and the Danfoss logotype are registered trademarks of Danfoss A/S. All rights reserved